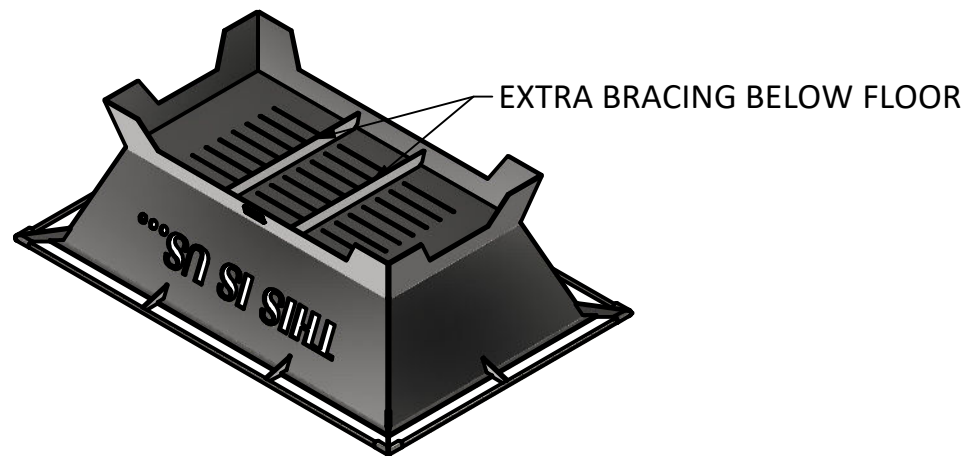
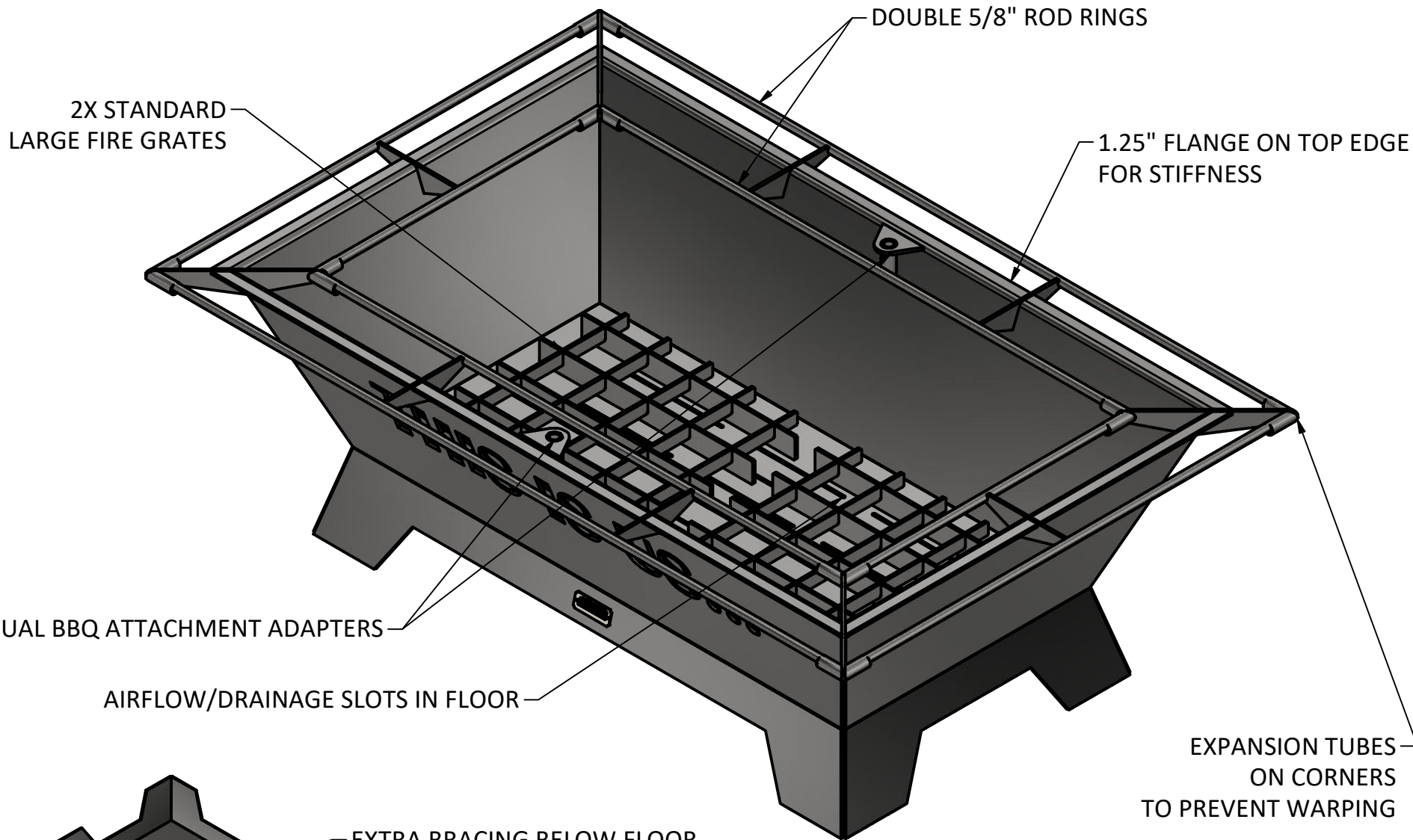

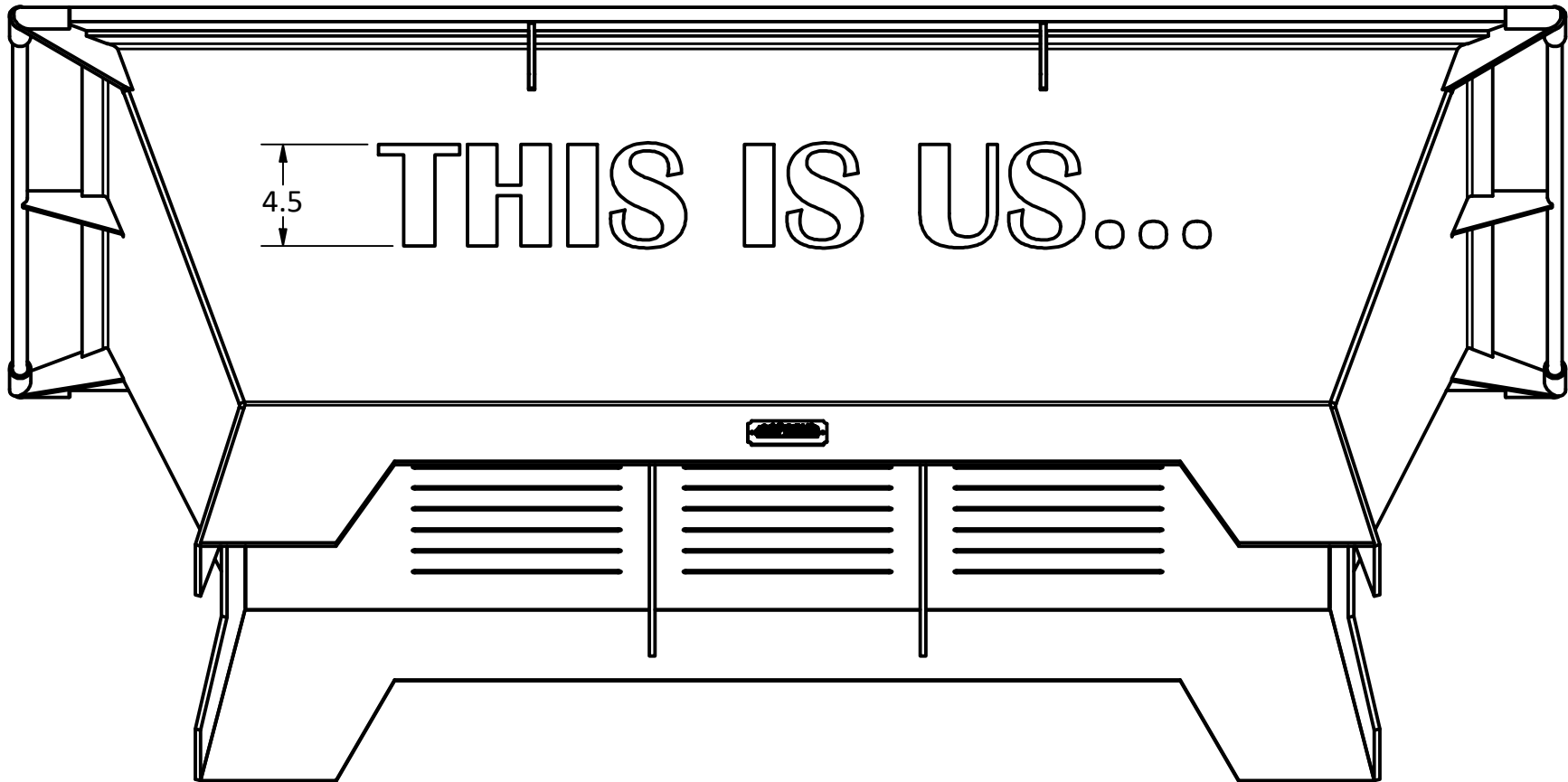

		Design	220116
		Date	June 28, 2022
Title		Designer	EJT
Large Rectangular Fire Pit with Footrest		Weight	395 lbs
Materials		Sheet	1 of 3
1/4" Carbon Steel, 5/8 Rod		<i>Actual dimensions may vary</i>	
			www.ironembers.com



		Design	220116
		Date	June 28, 2022
Title		Designer	EJT
Large Rectangular Fire Pit with Footrest		Weight	395 lbs
Materials		Sheet	2 of 3
1/4" Carbon Steel, 5/8 Rod		<i>Actual dimensions may vary</i> www.ironembers.com	



	Design	220116
	Date	June 28, 2022
	Designer	EJT
Title	Large Rectangular Fire Pit with Footrest	Weight 395 lbs
Materials	1/4" Carbon Steel, 5/8 Rod	Sheet 3 of 3
<i>Actual dimensions may vary</i>		www.ironembers.com