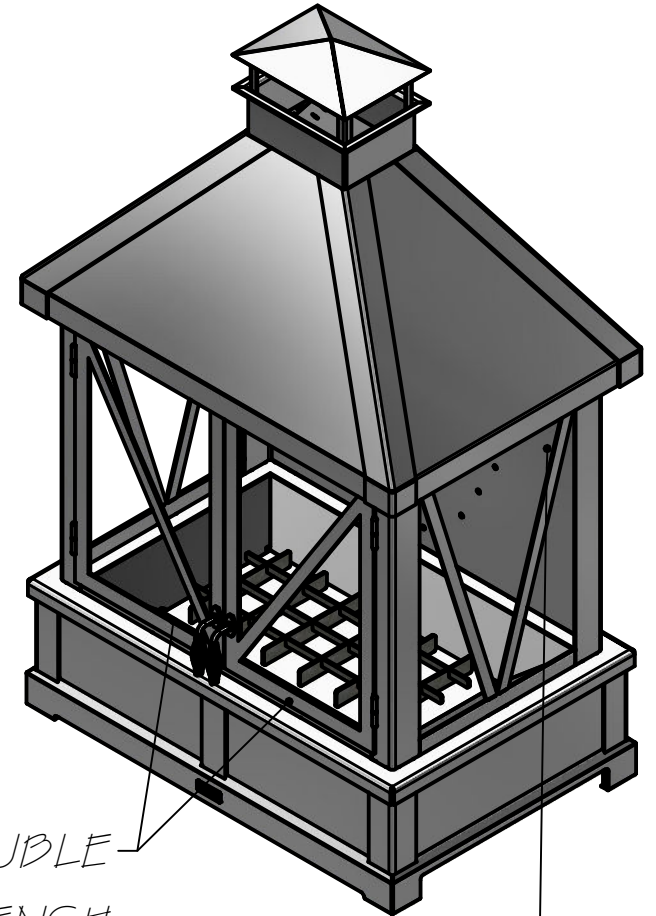
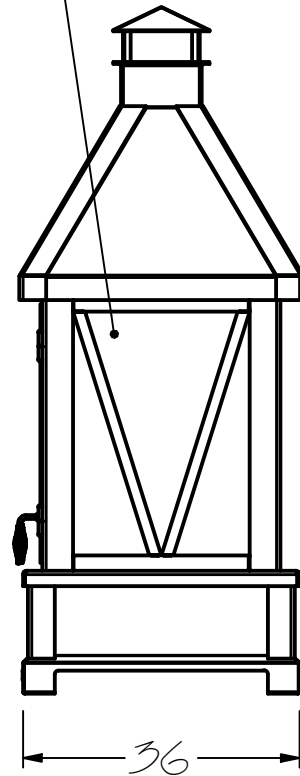
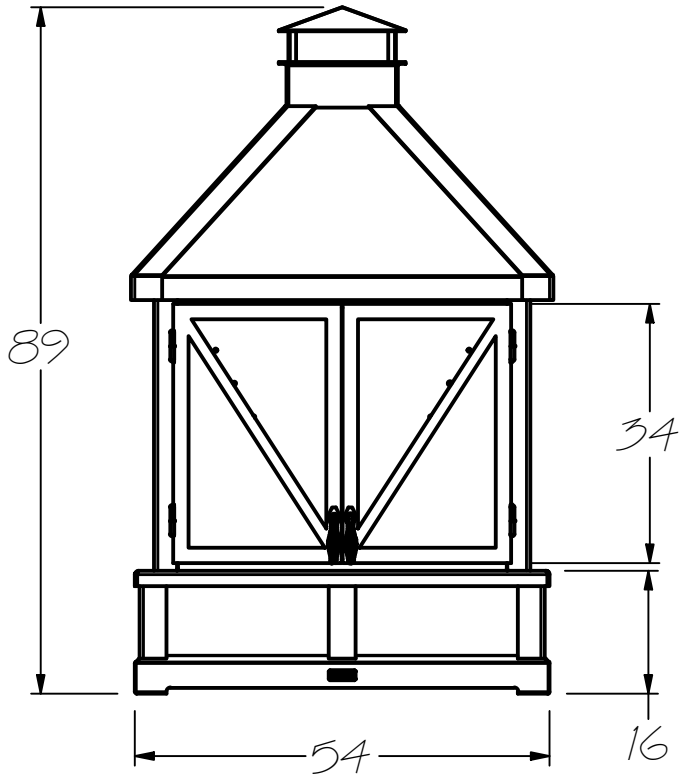



STAINLESS  
SPARK-SCREEN  
ON 3 SIDES

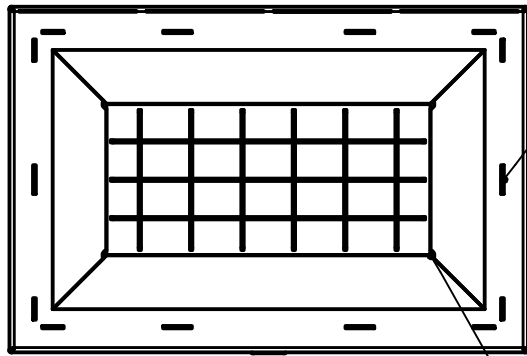


DOUBLE  
FRENCH  
DOOR

SOLID STEEL  
BACK PANEL

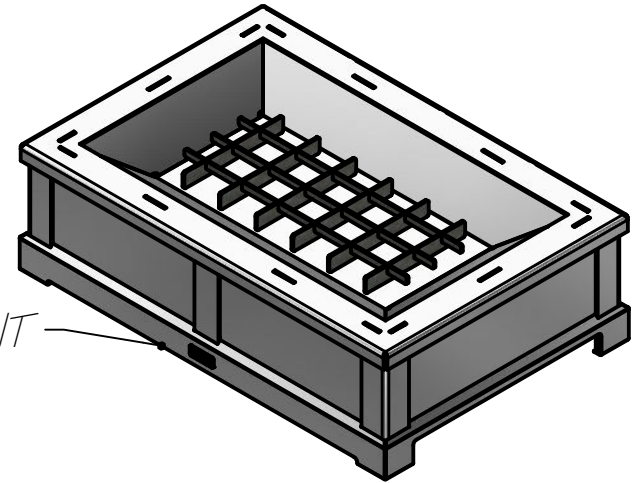
NOTE:  
PRODUCT BREAKS DOWN  
INTO 3 SECTIONS WITH  
BOLTED CONNECTIONS

	Design 200200
	Date May 15, 2020
Title Custom Chiminea Fireplace	Designer EJT
Materials 1/8", 1/4" Carbon Steel	Weight 950 lbs
	Sheet 1 of 4
<small>Actual dimensions may vary</small>	
<a href="http://www.ironembers.com">www.ironembers.com</a>	



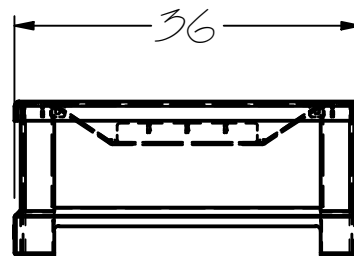
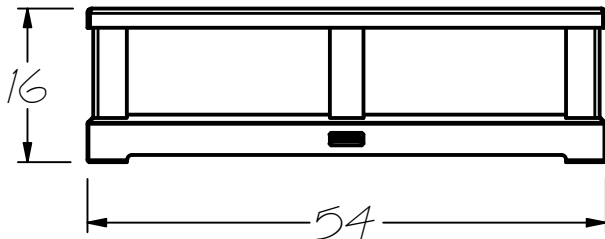
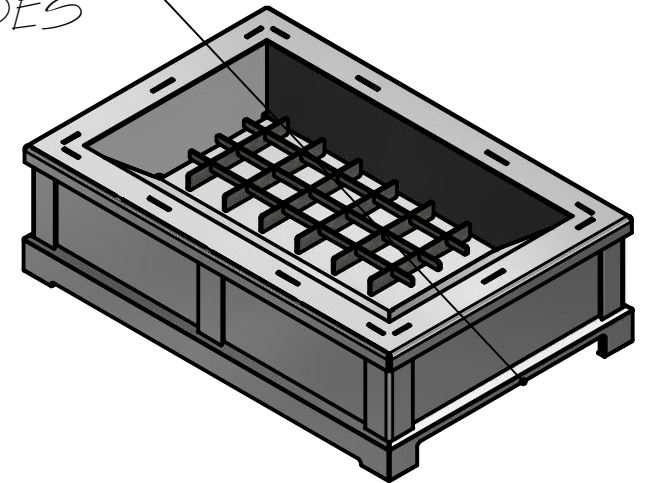
LOCATING FEATURES  
FOR FIREBOX ASSEMBLY  
(HIDDEN FROM VIEW)

DRAINAGE HOLES ON  
ALL 4 CORNERS

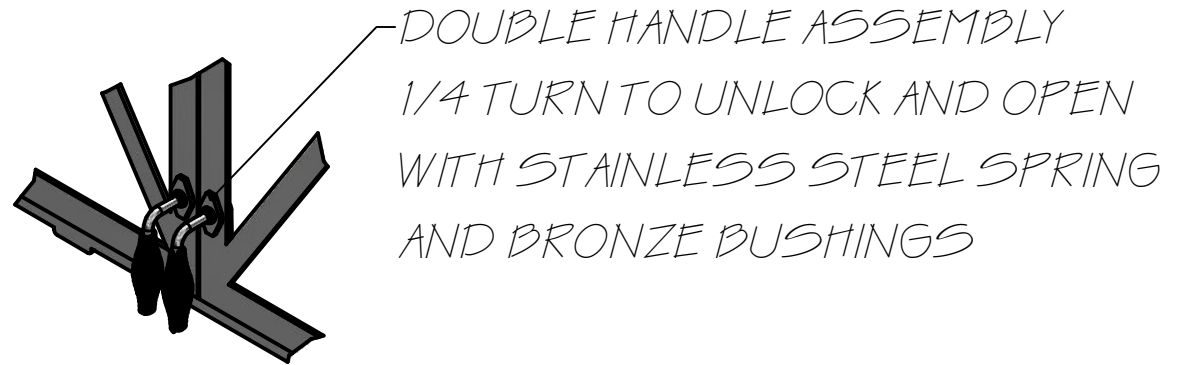
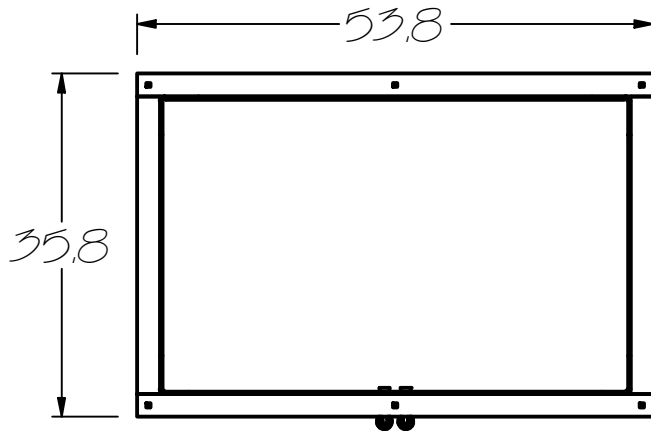


FRONT

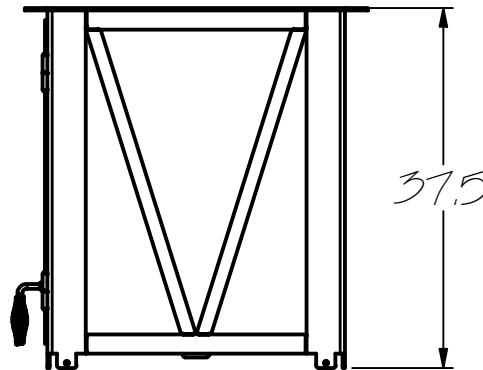
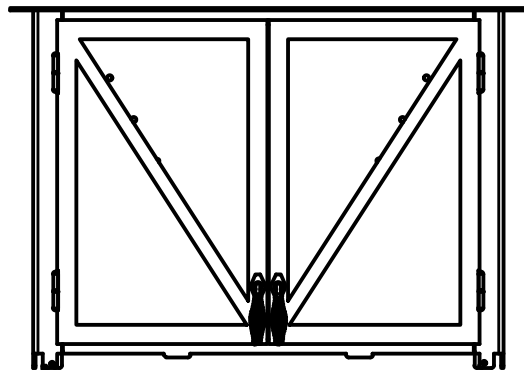
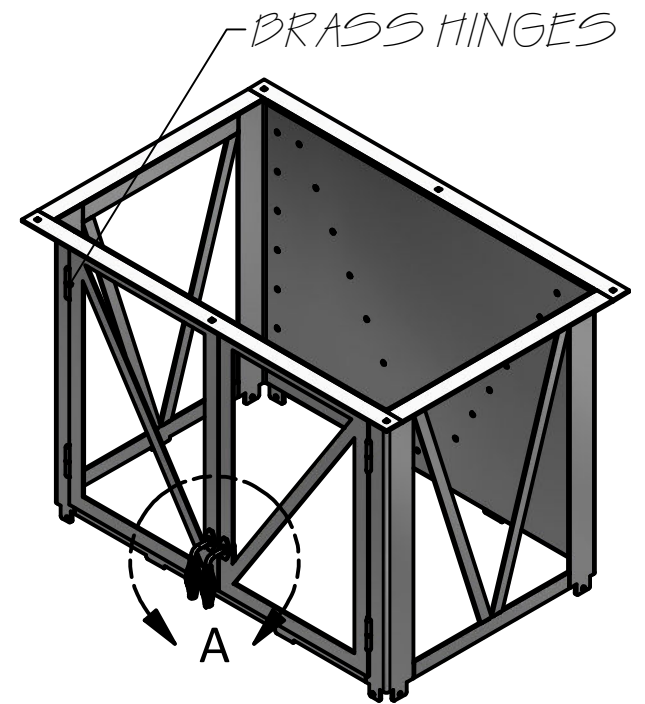
CLEARANCE TO CLEAN  
ON BOTH SIDES




		Design	200200
		Date	May 15, 2020
Title		Designer	EJT
Custom Chiminea Fireplace		Weight	950 lbs
Materials		Sheet	2 of 4
1/8", 1/4" Carbon Steel		<i>Actual dimensions may vary</i> <a href="http://www.ironembers.com">www.ironembers.com</a>	

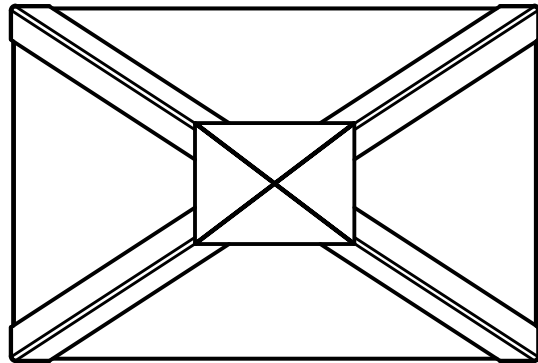


DETAIL A  
SCALE 1/10

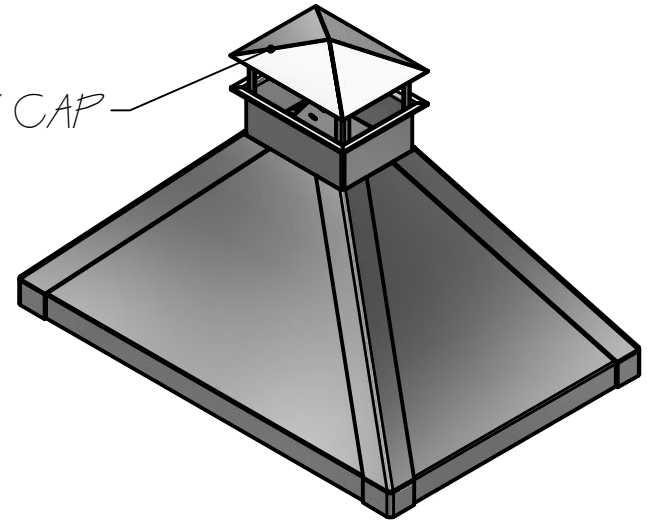


RECESSED TAB  
CONNECTION

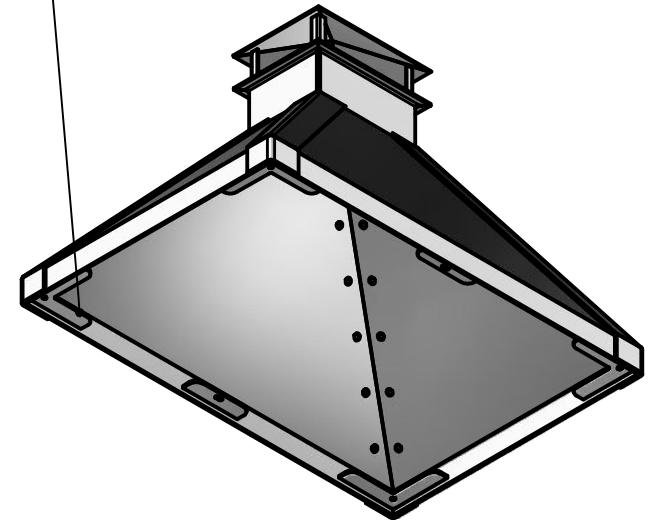
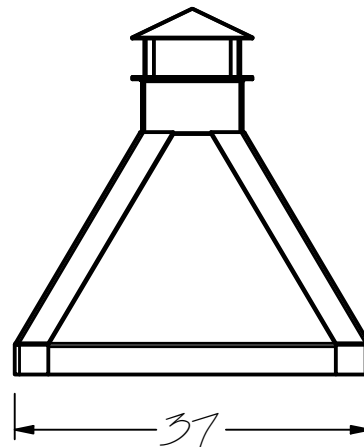
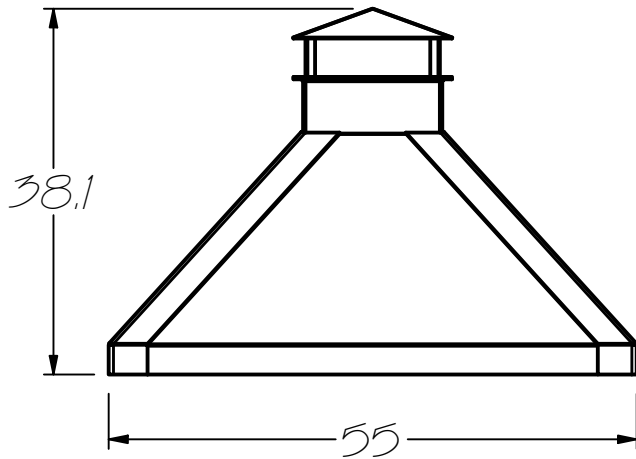
 <b>IRON EMBERS</b>	Design 200200
	Date May 15, 2020
Title Custom Chiminea Fireplace	Designer EJT
Materials 1/8", 1/4" Carbon Steel	Weight 950 lbs
	Sheet 3 of 4
<i>Actual dimensions may vary</i>	
<a href="http://www.ironembers.com">www.ironembers.com</a>	




RAISED CHIMNEY CAP



MOUNTING BRACKETS  
RECESSED



	Design 200200
	Date May 15, 2020
Title Custom Chiminea Fireplace	Designer EJT
Materials 1/8", 1/4" Carbon Steel	Weight 950 lbs
	Sheet 4 of 4
<i>Actual dimensions may vary</i>	
<a href="http://www.ironembers.com">www.ironembers.com</a>	