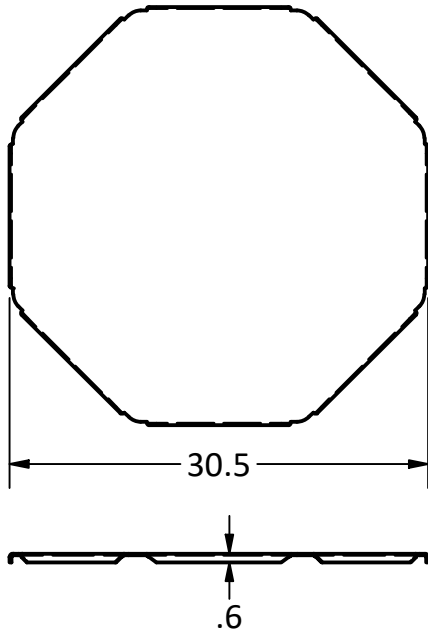
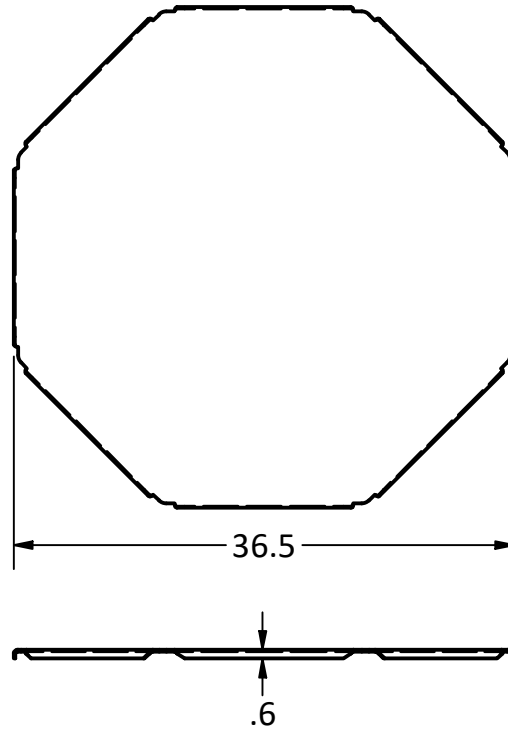


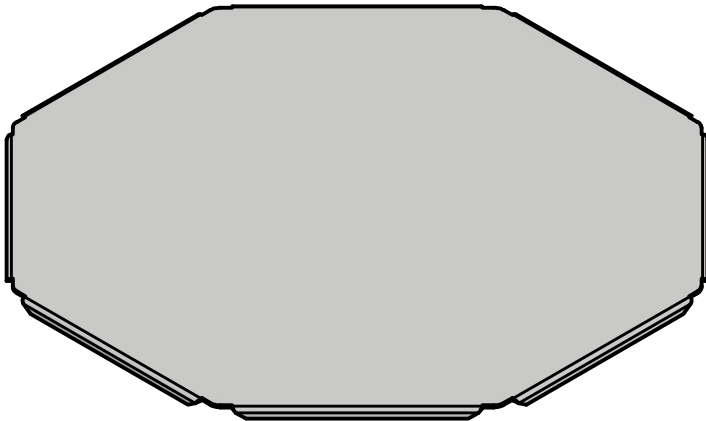
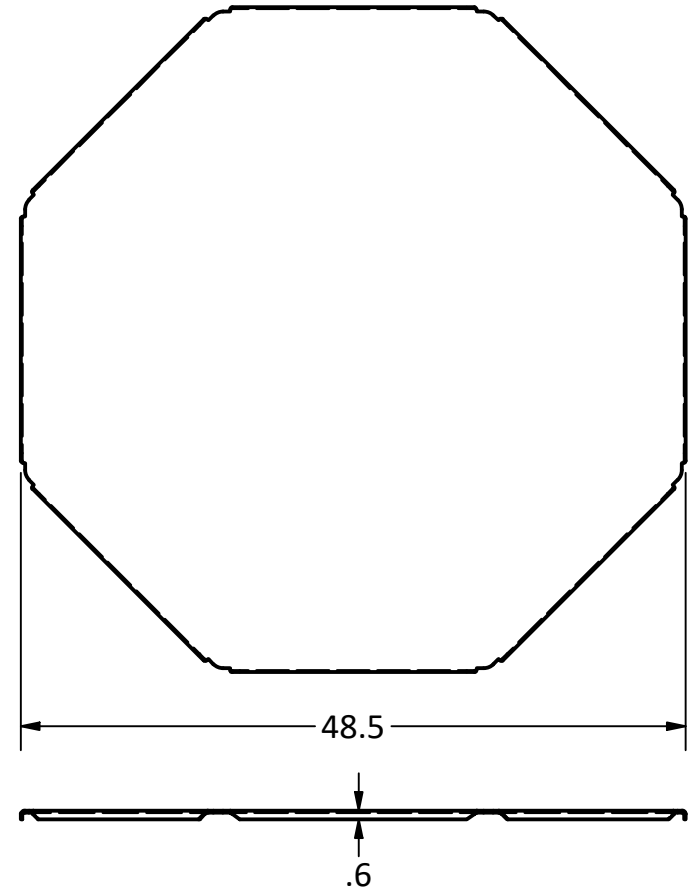
2' OCTAGONAL
COTTAGER STEEL LID



3' OCTAGONAL
COTTAGER STEEL LID



4' OCTAGONAL
COTTAGER STEEL LID



IRON EMBERS

PRODUCT

Octagonal Cottager Steel Lids

SKU

AE-0009-11

Actual dimensions may vary, information on this drawing is for reference only

www.ironembers.com